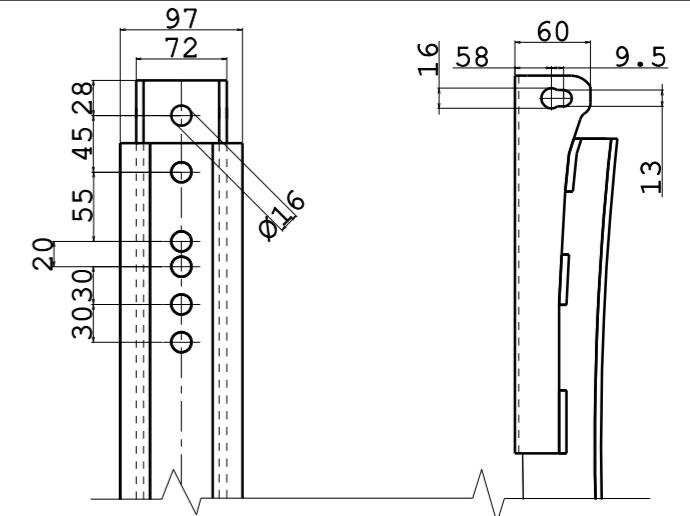


4 SUPPORT CONNECTION DETAIL



Scale 1:6

Tank composition

Pos.	Denomination	Q.ty
1	FILLING CAP	1
2	LEVEL INDICATOR VDO TYPE CONNECTION	1
3	DIESEL DRAINAGE	1
4	PARTITION	2
5	SUPPORT 70/70	2
6	STRAP	2
7	GROUND CONNECTION	1

MARK DETAIL



Tank dimension

Full capacity	402 Lt
Support weight	27 Kg
Tank weight (F,I,T)	kg (A) kg
Dimensions	900x700x700 mm

Rev.	Description	Date	Dis.	Ver.	App.
2	NEW LOGO PADOAN	09/03/2016	FM	MM	EB
1	PUT ON GROUND CONECTION, NEW OMOLOGATION AND SUPPORT CONNECTION	26/11/2013	AF	MM	BM
0	EMISSION		MM	CGP	PF

Part name : Diesel oil tank 400 L Al/Steel/Stainl.Steel fam. 700x700

Part code : NSG (X) 0400090C100

Replace the

Replaced by

Material code

- (X)=F:Steel DC03A EN 10130
- (X)=I:Stainless steel AISI 304 UNI EN 10088
- (X)=T:Textured stainless steel. AISI 304 UNI EN 10088
- (X)=A:Aluminium EN AW 5754

General tolerances: ISO 2768 V

Drawing format A3



OWNERSHIP OF THIS DRAWING IS RESERVED BY LAW AND MAY NOT BE REPRODUCED IN WHOLE OR IN PART WITHOUT PERMISSION OF PADOAN S.R.L.

DO NOT MAKE MEASUREMENTS ON DRAWING DO NOT CHANGE WITHOUT TECHNICAL OFFICE AUTHORIZATION