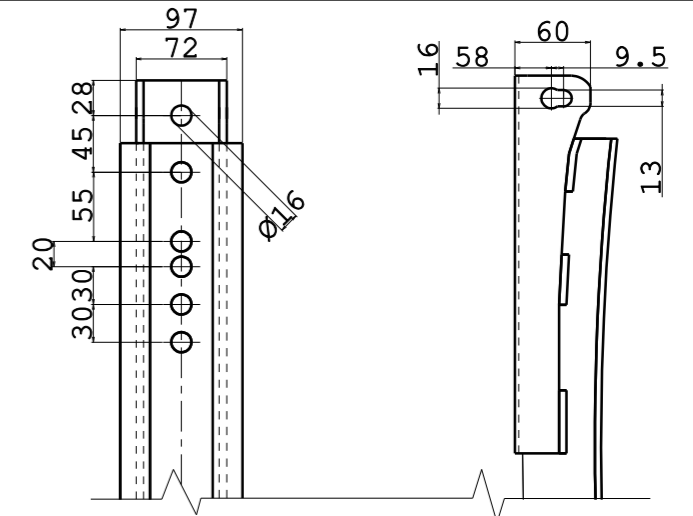


4 SUPPORT CONNECTION DETAIL



Scale 1:6

Tank composition

Pos.	Denomination	Q.ty
1	FILLING CAP	1
2	LEVEL INDICATOR VDO TYPE CONNECTION	1
3	DIESEL DRAINAGE	1
4	PARTITION	1
5	SUPPORT 70/70	2
6	STRAP	2
7	GROUND CONNECTION	1

MARK DETAIL



Tank dimension

Full capacity	263 Lt
Support weight	27 Kg
Tank weight (F,I,T)	kg (A) kg
Dimensions	600x700x700 mm

Rev.	Description	Date	Dis.	Ver.	App.
3	NEW LOGO PADOAN	09/03/2016	FM	MM	EB
2	DELETED DIESEL OIL DRAINAGE	11/11/2014	AF	MM	BM
1	PUT ON GROUND CONECTION, NEW OMOLOGATION AND SUPPORT CONNECTION	25/11/2013	AF	MM	BM
0	EMISSION	11/12/2007	MM	CGP	PF

Part name : Diesel oil tank 280 L Al/Steel/Stainl.Steel fam. 700x700		Material code		General tolerances: ISO 2768 V
Part code : NSG (X) 0280060C100	Replace the	(X)=F:Steel DC03A EN 10130		
OUT OF SCALE	Replaced by	(X)=I:Stainless steel AISI 304 UNI EN 10088 (X)=T:Textured stainless steel. AISI 304 UNI EN 10088		
Padoan		(X)=A:Aluminium EN AW 5754		Drawing format A3
OWNERSHIP OF THIS DRAWING IS RESERVED BY LAW AND MAY NOT REPRODUCED IN WHOLE OR IN PART WITHOUT PERMISSION OF PADOAN S.R.L.		DO NOT MAKE MEASUREMENTS ON DRAWING DO NOT CHANGE WITHOUT TECHNICAL OFFICE AUTHORIZATION		